



CLS-B RUDDER with Toe Brakes.

Your choice for enhanced jet fighter simulation.

BRUNNER is defining new standards in high performance Active Force Feedback flight simulator devices. The BRUNNER CLS-B Active Force Feedback Rudder meets the highest demands in professional and semi-professional flight simulation. As one of the top level elements in our Control Loading System portfolio of leading drop-in devices, the CLS-B Rudder with Toe Brakes integrates perfectly into many new or existing FNPT II MCC cockpit environments. The integrated proportional Toe brakes allow as well realistic aircraft simulation. Our CLS-B Rudder provides excellent quality, high fidelity and unique durability. It is unmatched in its class: intelligent brushless DC Servo technology, a compact and sophisticated product design and a realistic simulation of flight effects like engine vibration, ground turbulence, real trim, autopilot and many more create training scenarios which

provide optimal training value. The BRUNNER CLS-B Rudder with real-time synchronization logic is supporting single as well as dual pilot applications with automatic pilot/co-pilot take-over (MCC). Additionally, the CLS-B Rudder allows easy and fast installation and setup through real Plug-and-Play capability. It is also suitable for Flight enthusiasts who want to take their simulation to the next level and enjoy double the forces of the BRUNNER CLS-E Rudder pedal. Enabled by our CLS2Sim software-environment, the CLS-B Rudder communicates easily with commercially available simulation software such as X-Plane, MS-FS, and Prepar3D®. Any third party flight simulation solution connects via a simple TCP/IP or UDP remote protocol



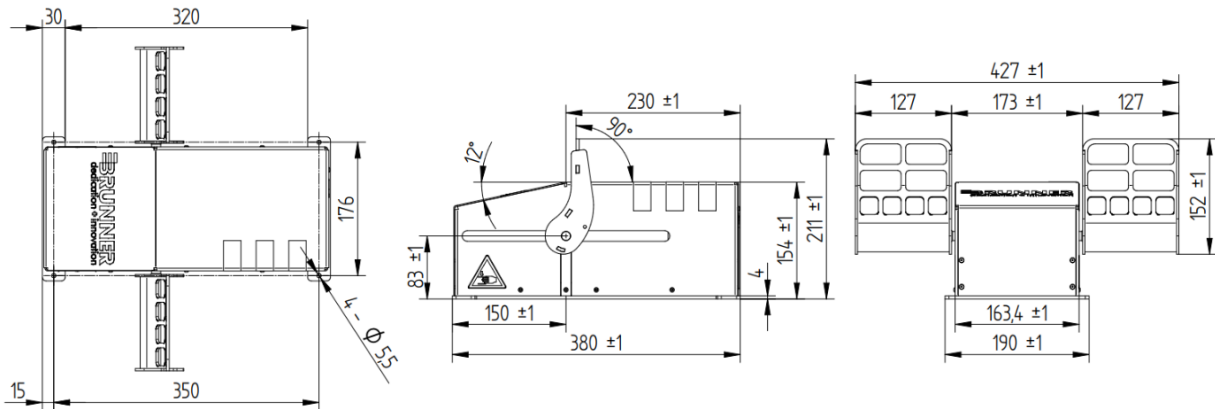
CLS-B RUDDER with Toe Brakes.

Features.

- BRUNNER Drop-In or stand-alone: all included with built-in control unit and 36 VDC external power supply.
- High fidelity for most realistic flight experience
- Proportional Toe brakes
- BRUNNER real-time synchronization logic for dual-pilot cockpit with automatic pilot/co-pilot take-over (MCC)
- Simulated effects: engine, ground, turbulence, real trim, autopilot, stall etc.
- Direct support for X-Plane, FSX. FSX Steam Edition, Prepare3D, MS-Flight Simulator with BRUNNER CLS2SIM SW, X-Plane Plugin for Windows.
- Different designs for more specific use cases available
- Contactless high-resolution position feedback
- 2 Years warranty

Dimensions.

CLS-B Rudder Pedal with Toe brakes Jet Fighter design



Specification.

Peak Force	380 N / 85 lbs
Travel	V.001: 150 mm / 5.9 in
Interface	USB (USB-2 Type-B), CAN (RJ45), Ethernet via optional high-speed E2CAN gateway
Power	100 W peak
Operating Voltage	19-25 VDC (DC Power Jack 2.6/5.5 mm), ext. Power Supply included (no fan)
Size	380 x 427 x 211 mm