

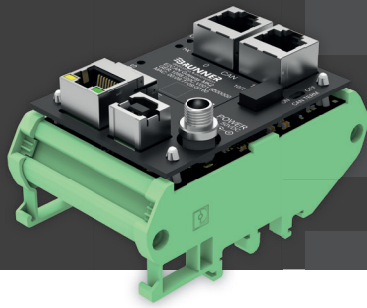
E2CAN MKII Gateway.

Your choice for easy link of I/O to Ethernet, USB or CAN Interface.

The BRUNNER Ethernet-to-CAN (E2CAN) Gateway MKII is a powerful high-speed Ethernet to CAN gateway that provides easy and flexible access to CAN networks via PC. The two high-speed CAN connectors allow daisy chaining of the device in your CAN network. The application on the host communicates over a standard TCP/IP socket with an ASCII protocol.

Further, our E2CAN Gateway provides a USB to CAN gateway functionality whereas the device shows up as a USB HID game controller, so no driver installation is necessary. The gateway can handle up to 100% CAN-bus load via Ethernet, and is therefore particularly suitable for data-intensive applications.

The E2CAN Gateway offers comprehensive filter and analysis functions for CAN through integrated dual TCP/IP socket server that allows the connection of up to 2 Client Sockets to the same CAN Network. This unique feature enables the use of the MK II Gateway as a CAN sniffer for various failure and performance analysis. CAN sniffer functionality is provided as well over the integrated USB HID port. The E2CAN Gateway is powered over USB or external Power Supply. The easy configuration utilizes the web interface or our CANopen Commander Software. The E2CAN Gateway MK II has a robust industrial design and snap-on mounting possibility on various top hat DIN rails, which allows fast mounting and connection.



E2CAN MKII Gateway.

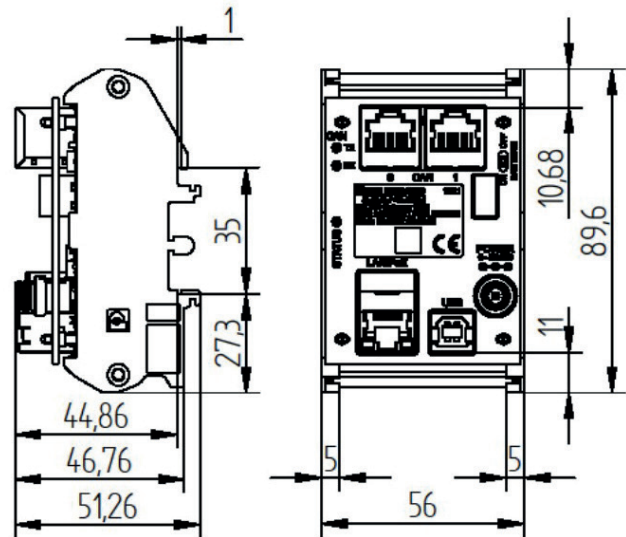
Features.

- Ethernet 10/100 Mbit/s, with auto crossover detection
- CAN 2.0 A/B, ISO 11898, galvanically decoupled
- USB 1.1 & 2.0
- DHCP or fixed IP-Address
- Multi-socket server
- Sustained 100% CAN bus load over Ethernet
- Up to 6000 CAN packets/s in each direction over USB
- Large CAN receive buffer
- Comprehensive filter and analysis functions for CAN
- Low power consumption
- CANOpen® Commander SW Tool for configuration
- Power over Ethernet (PoE), USB or by external Power Supply
- Swiss Made
- 2 Years Warranty

Specification.

Input Voltage	Power over Ethernet (PoE), USB or external power supply 6-50 VDC (Power Jack 5 / 2.1 mm)
Communication	(LAN) Ethernet 10/100 Mbit/s (RJ45) (CAN) 2x CAN 2.0A/B, ISO 11898 (RJ45) (USB) USB 1.1 & 2.0 (USB-2 Type-B)
Mounting	Top DIN rail snap-on mounting 35 mm x 15 mm (EN 50022)
Size	89.6 x 56 x 51.6 mm 3.54 x 2.2 x 2.03 in
Weight	80 g / 0.18 lb

Dimensions.



CANopen®

